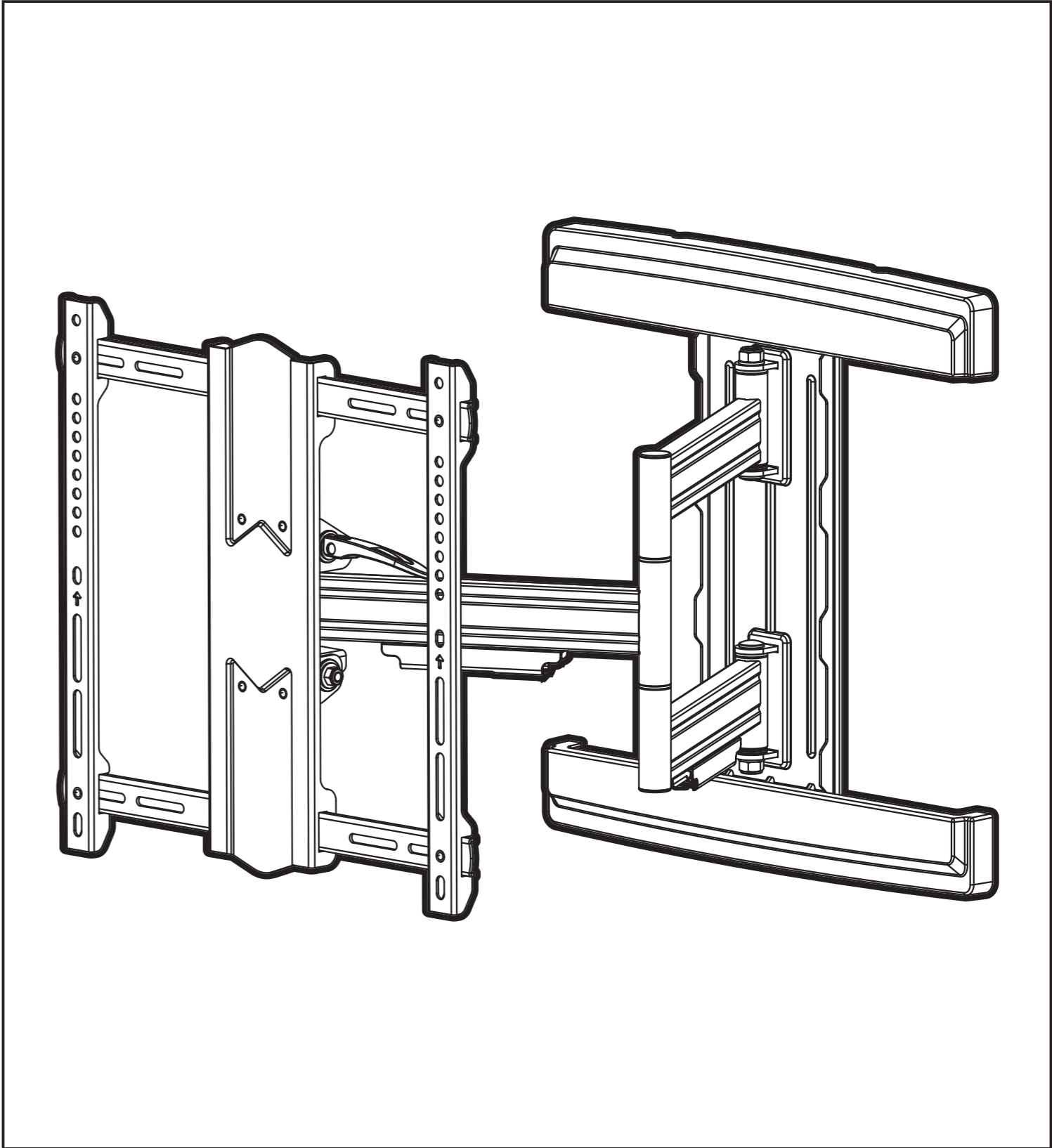


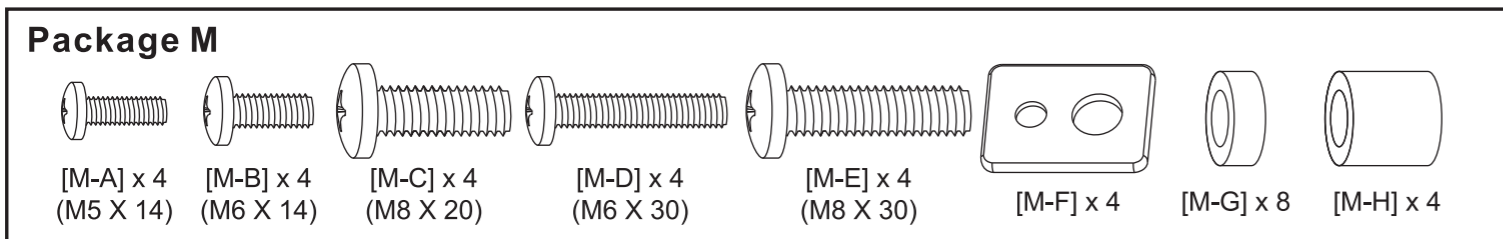
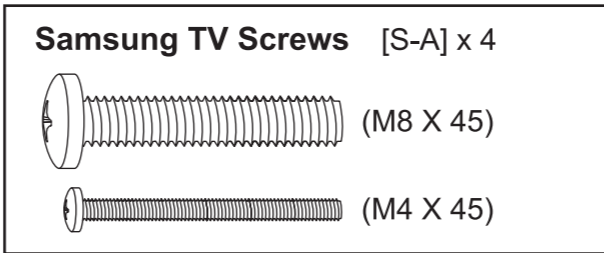
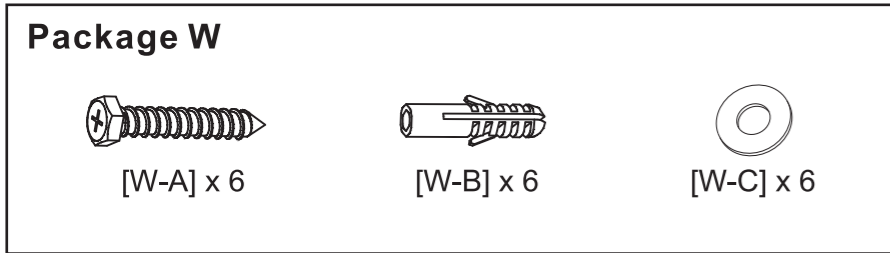
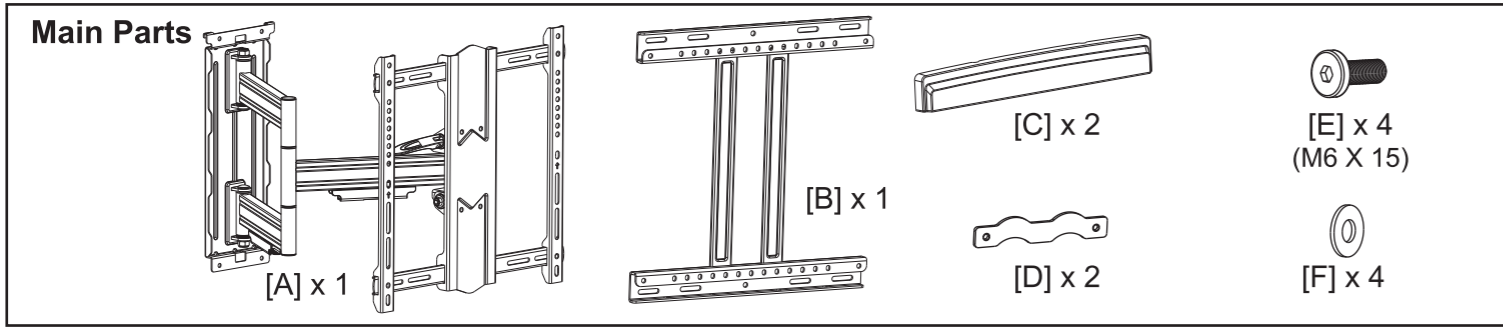
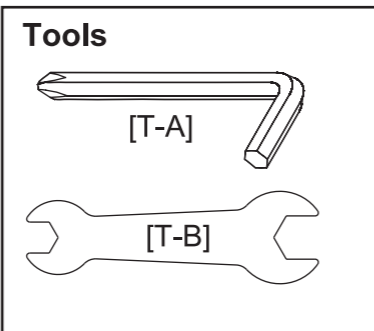
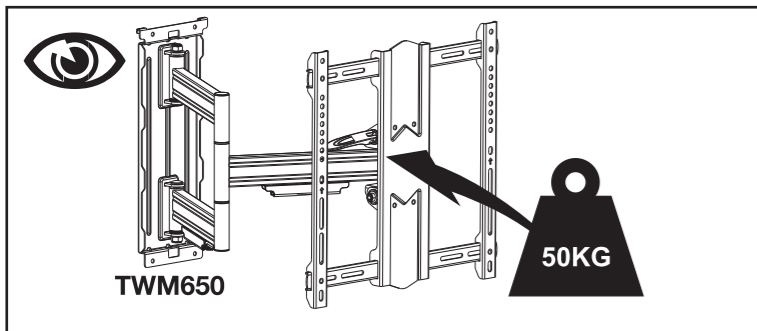
Product Name: TWM650  
Art number: 402271

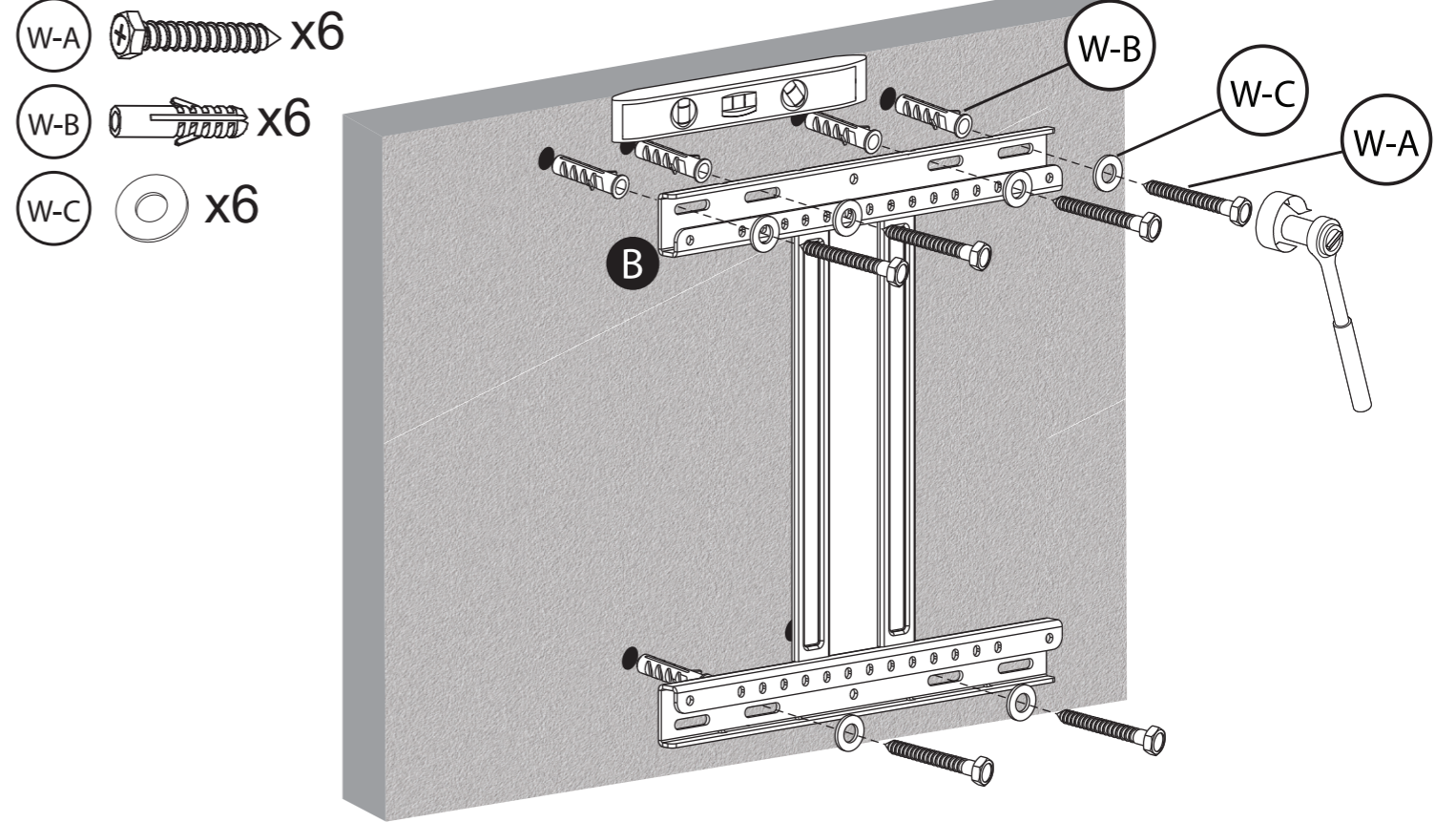
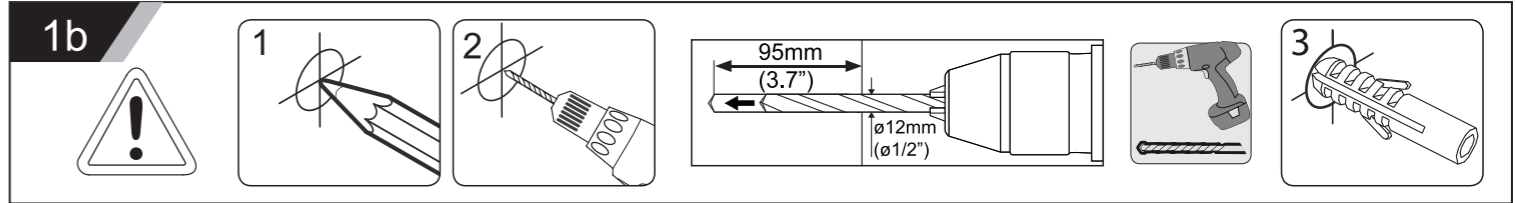
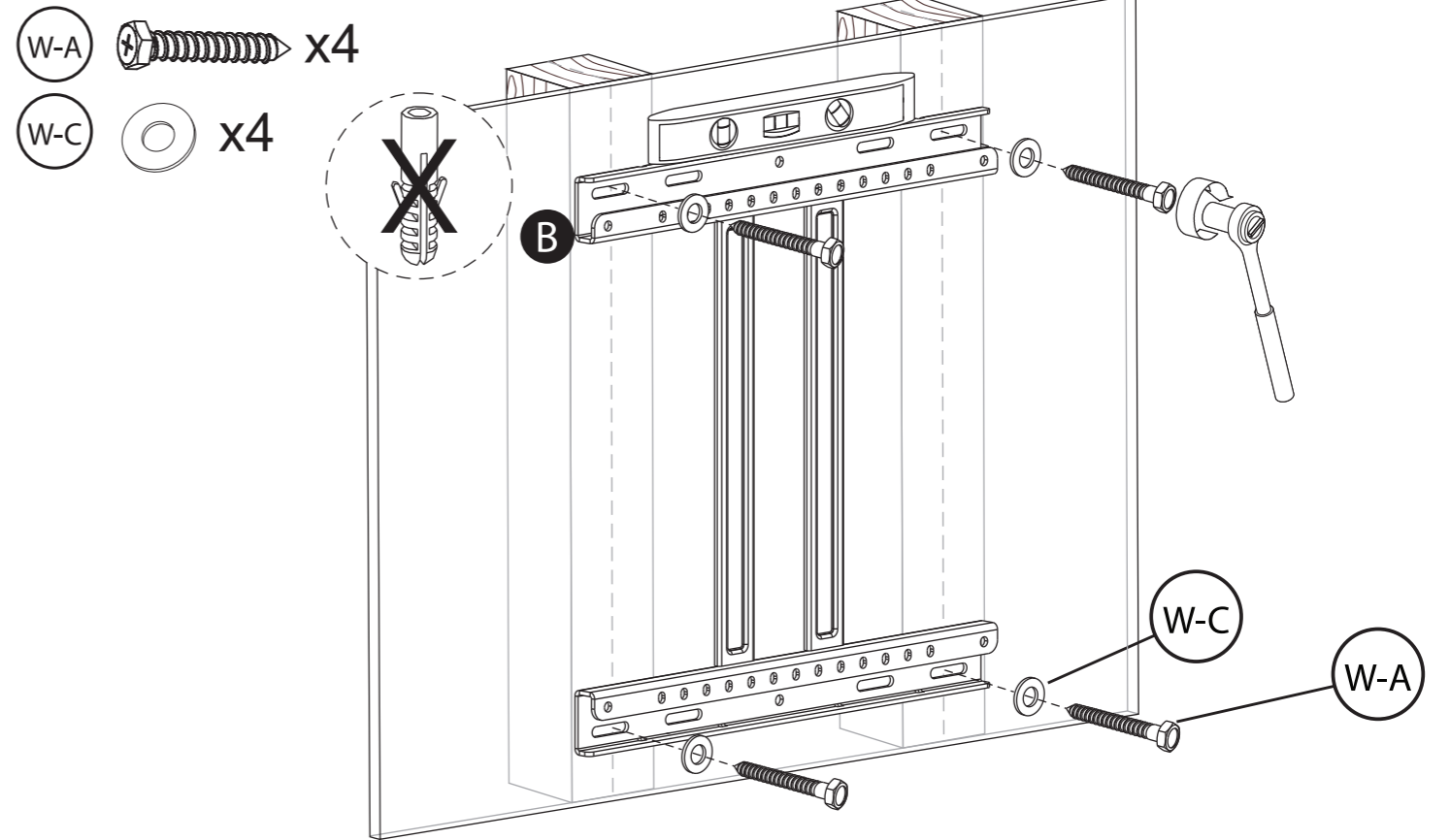
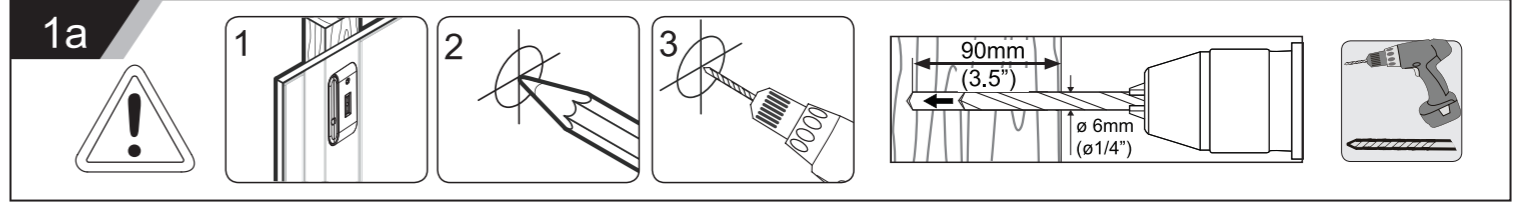


*TECHLINK products are exclusively distributed by Lee Godbold Limited (LGL)*  
Unit F3 Fearless, Daedalus Park, Daedalus Drive, Lee on the Solent,  
Hampshire, PO13 9FX, UK

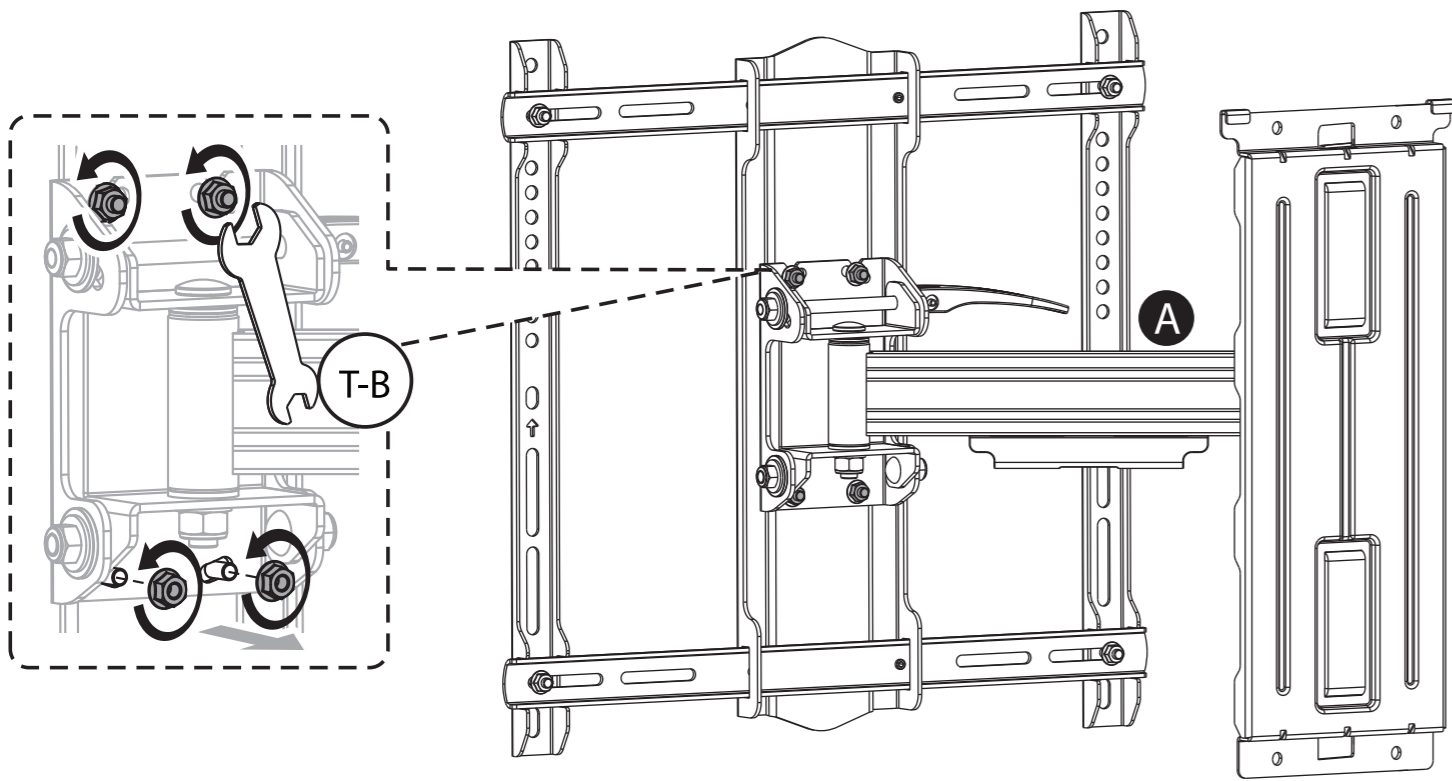
**Email:** [info@leegodbold.com](mailto:info@leegodbold.com)  
**Phone:** +44 (0) 1329 827788

**Web:** [www.techlink.uk.com](http://www.techlink.uk.com)  
**Web:** [www.leegodbold.com](http://www.leegodbold.com)



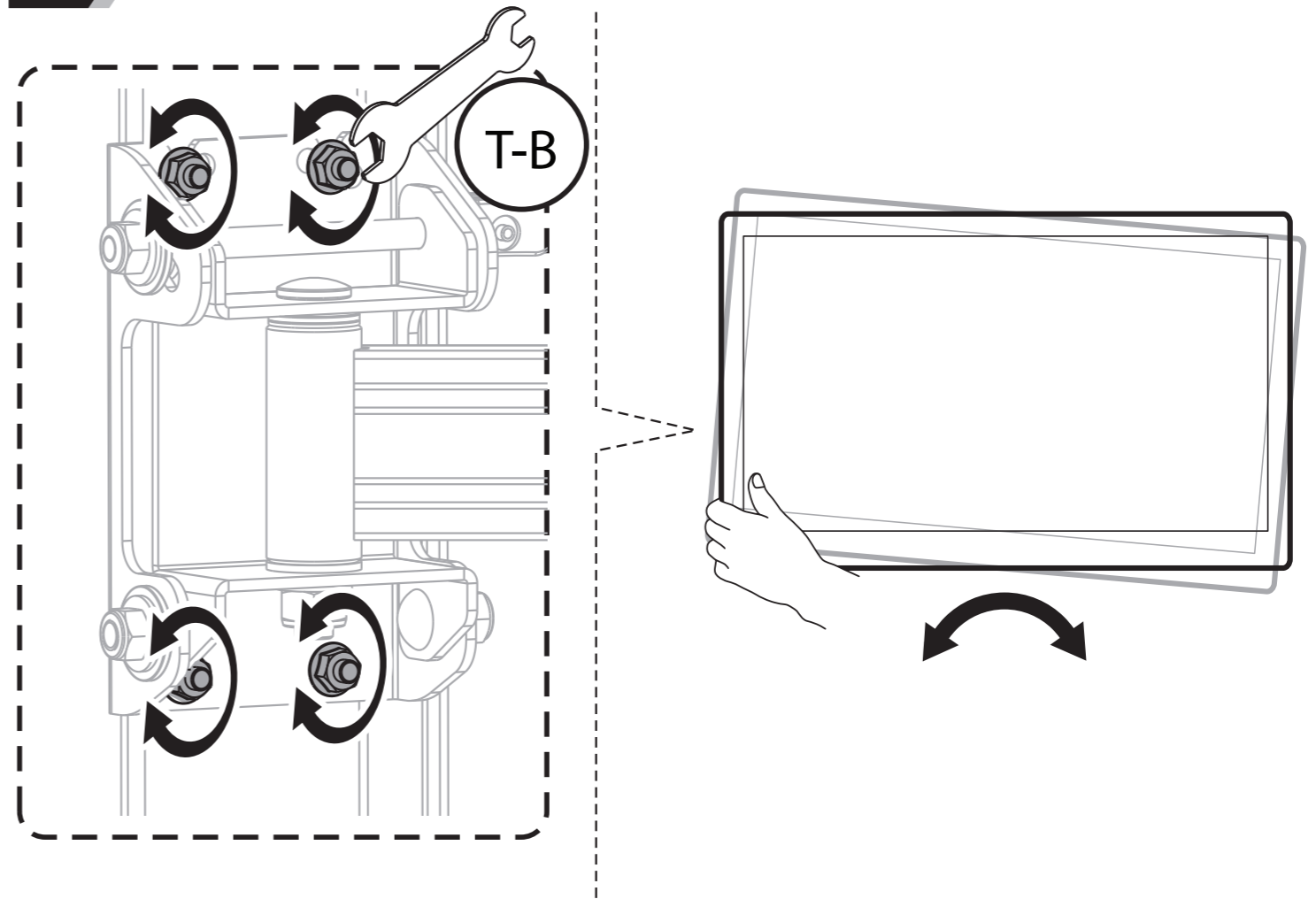


2



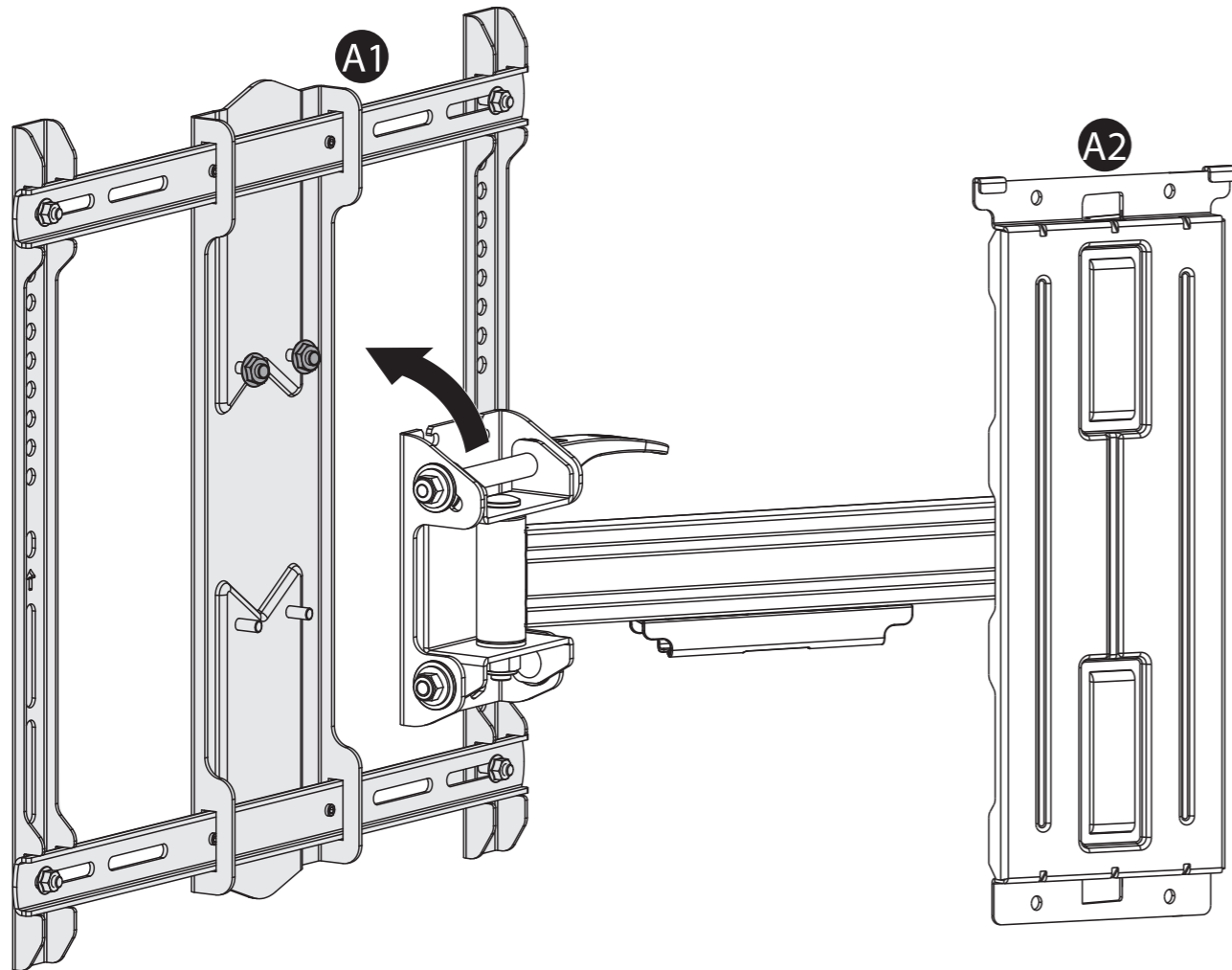
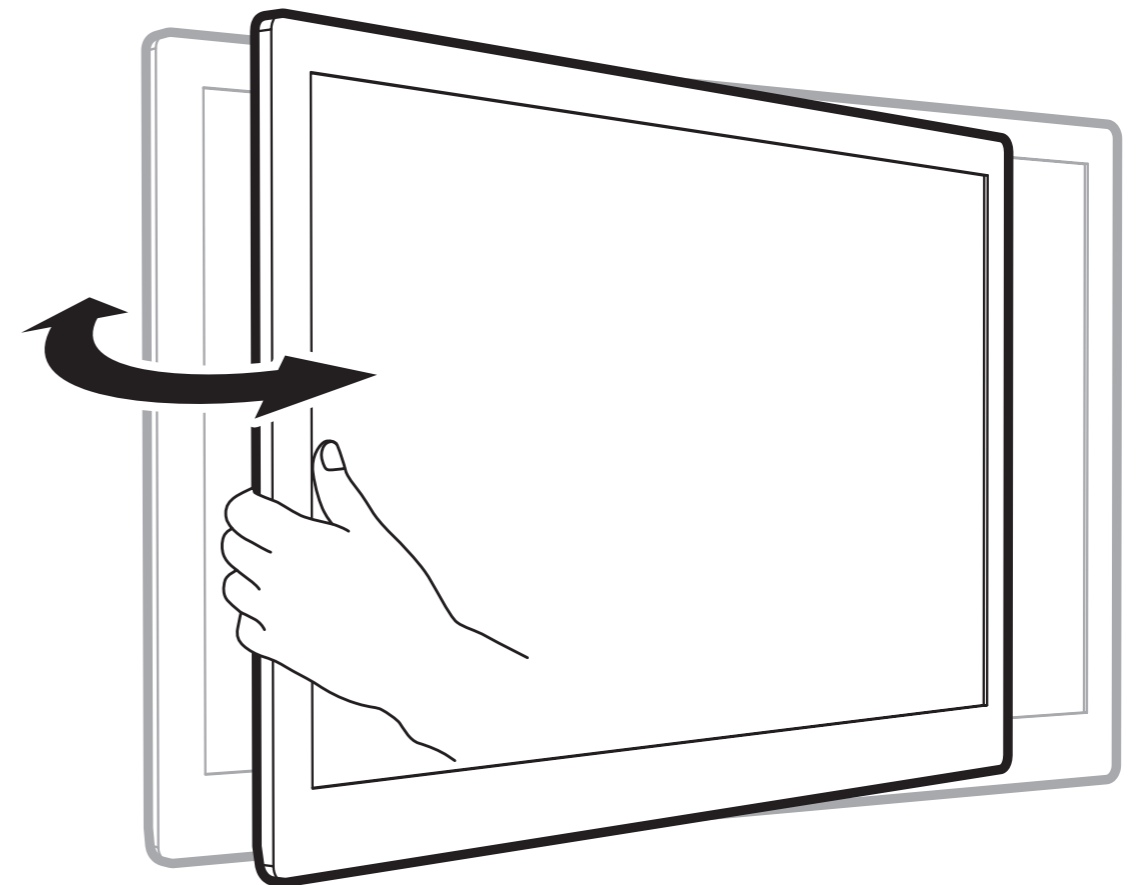
9

LEVEL ADJUSTMENT: Loosen, adjust level & tighten



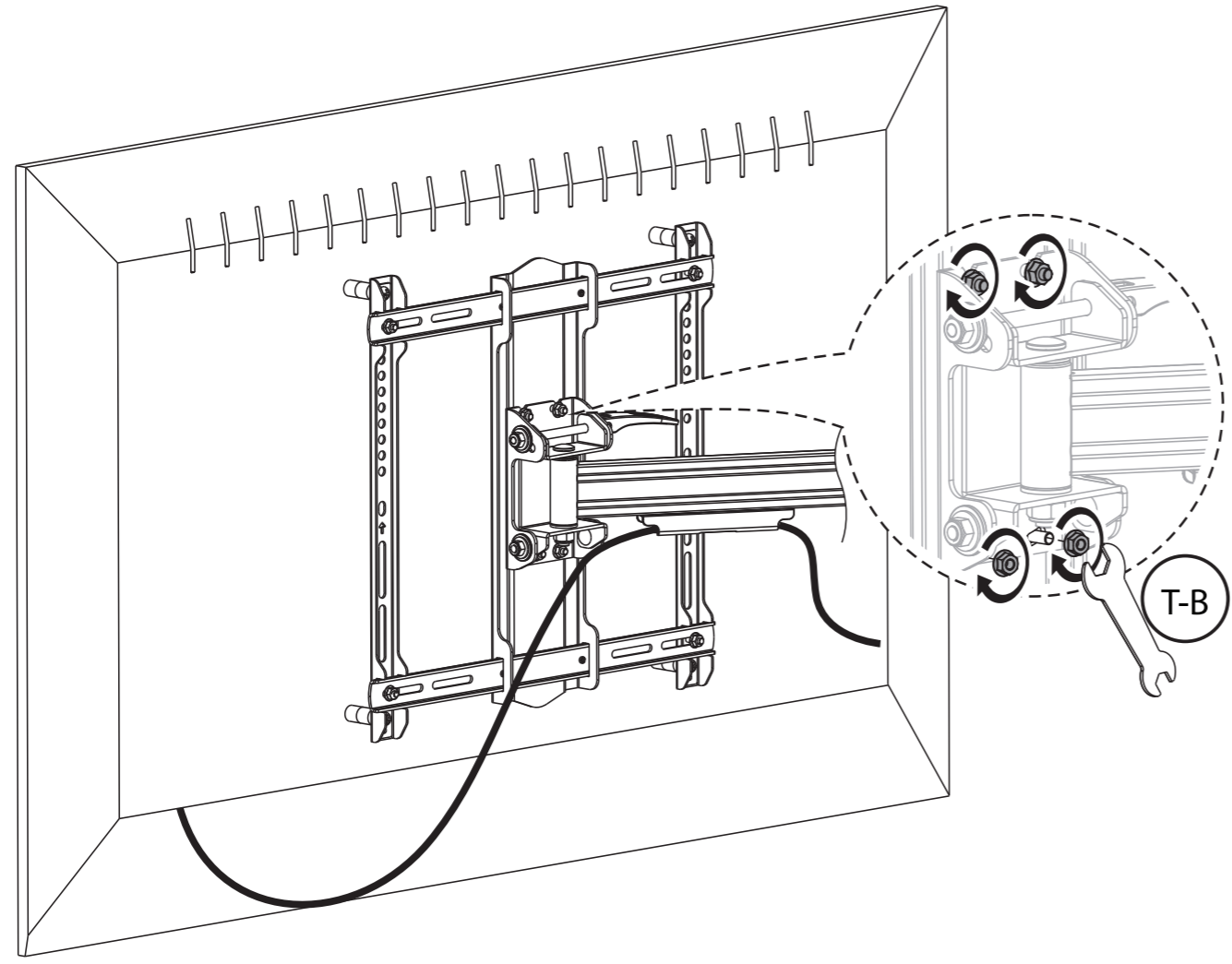
10

ROTATE ADJUSTMENT: Freely adjust the rotation of the screen

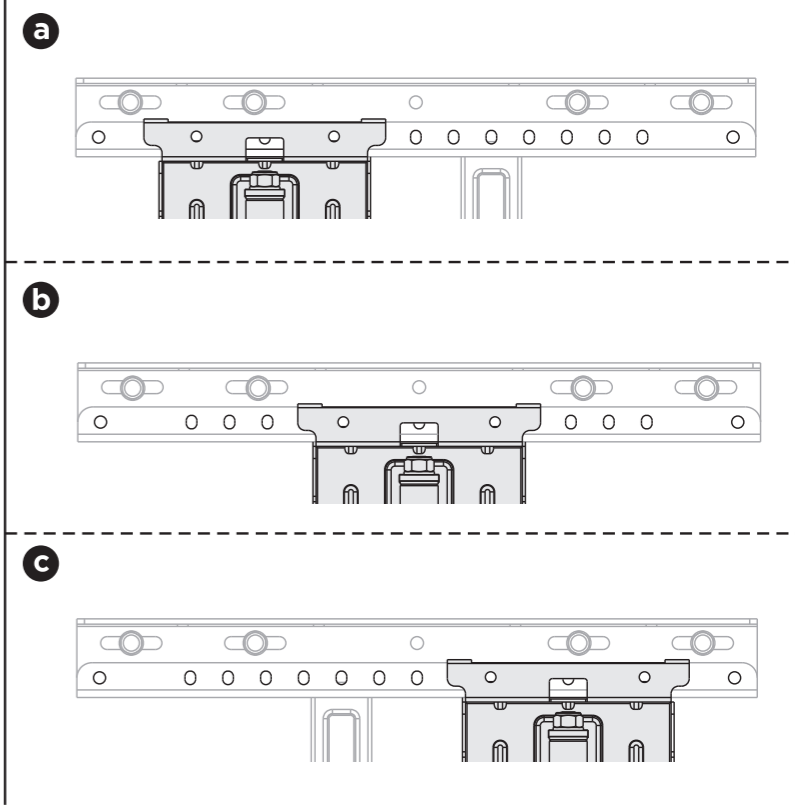
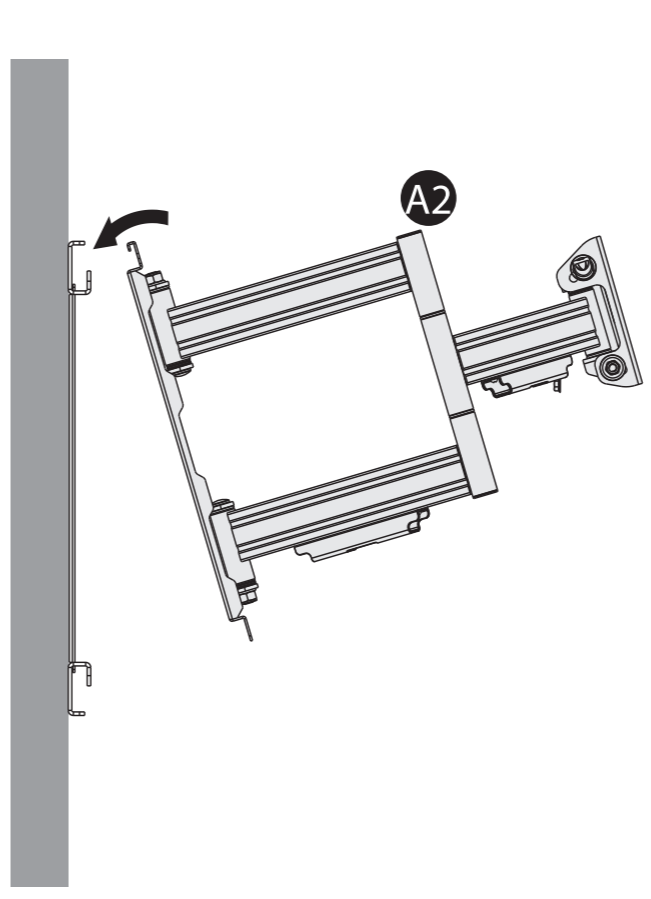




7b

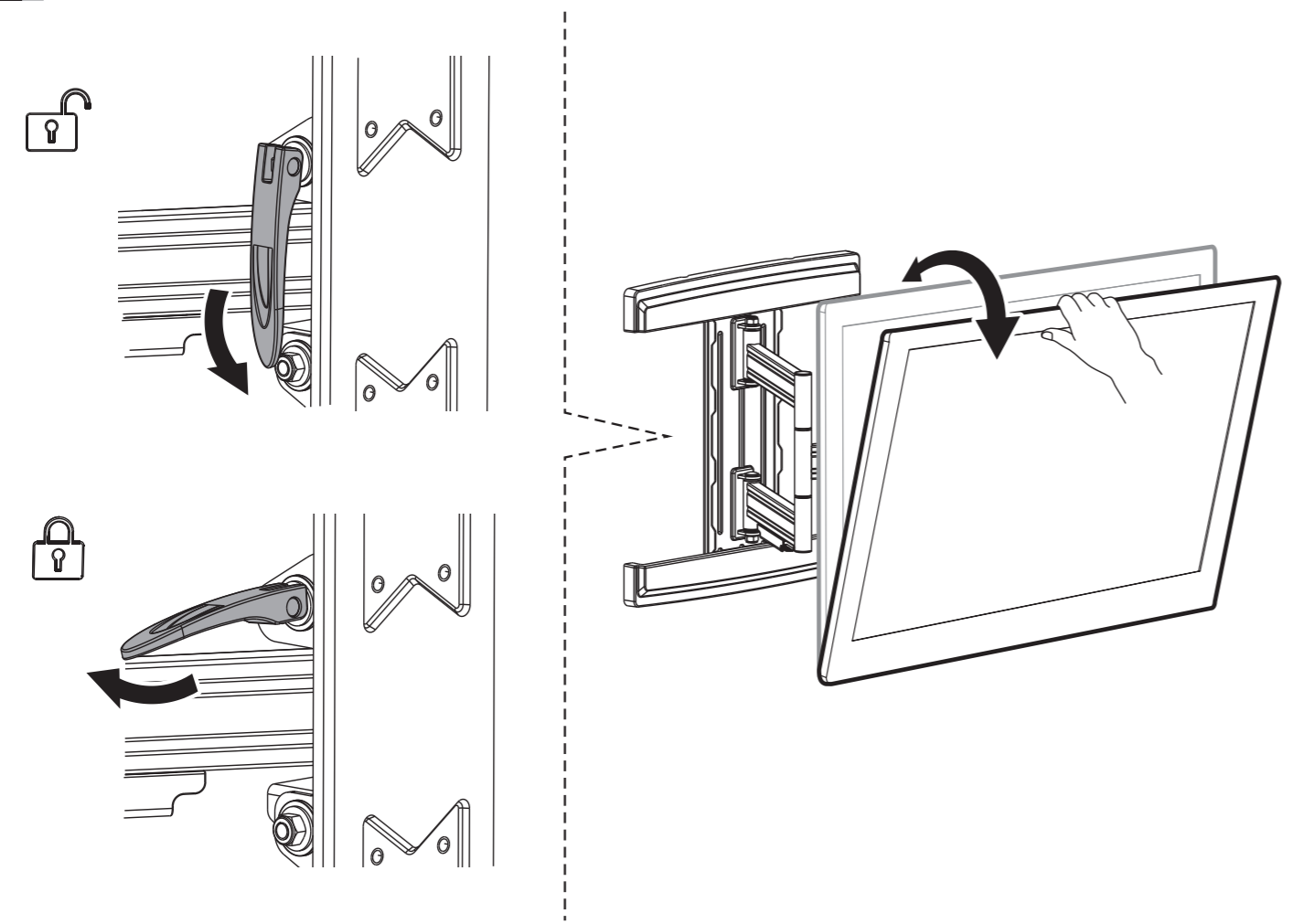


3



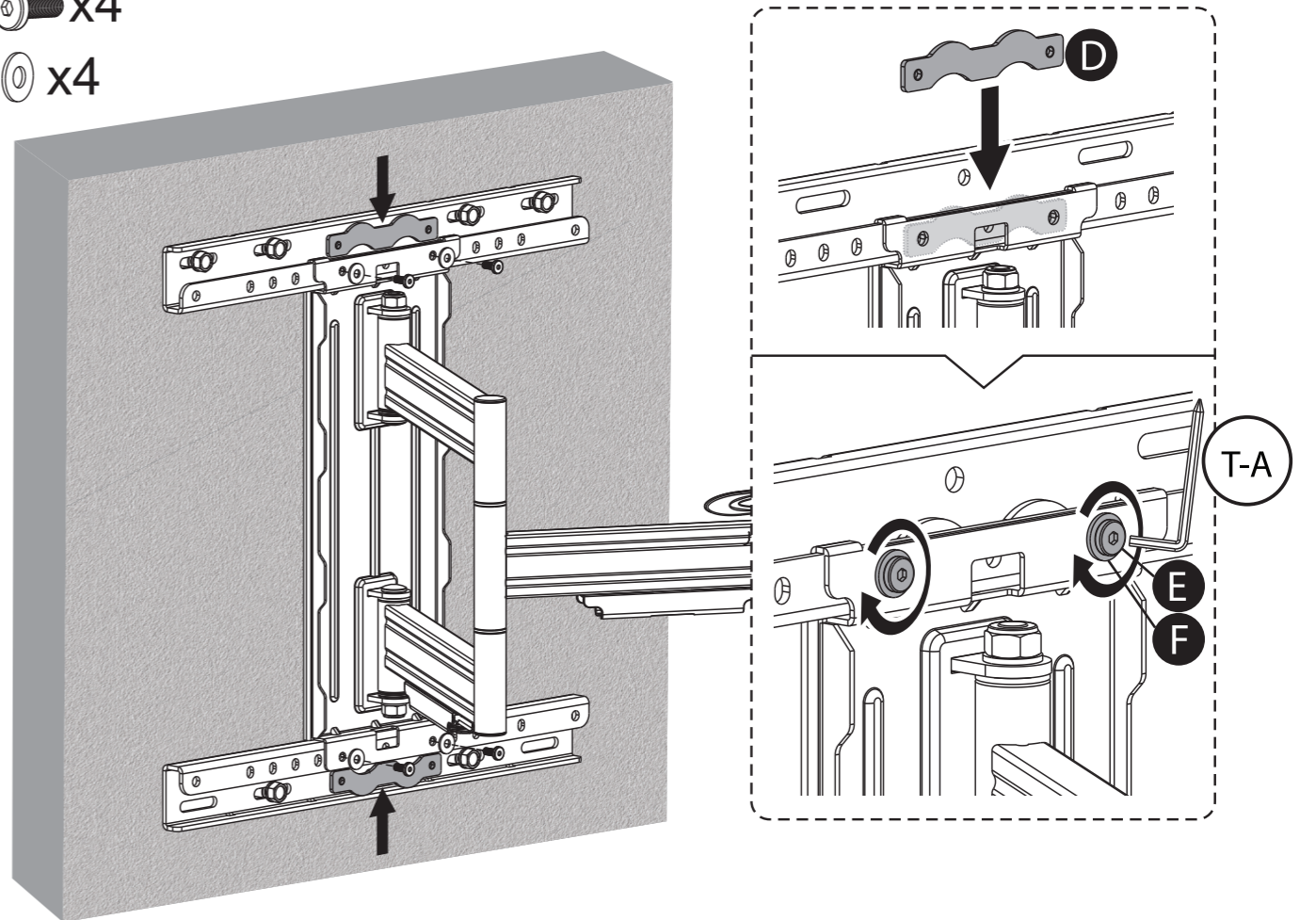
8

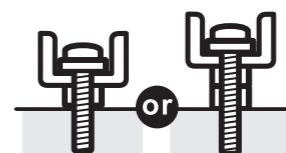
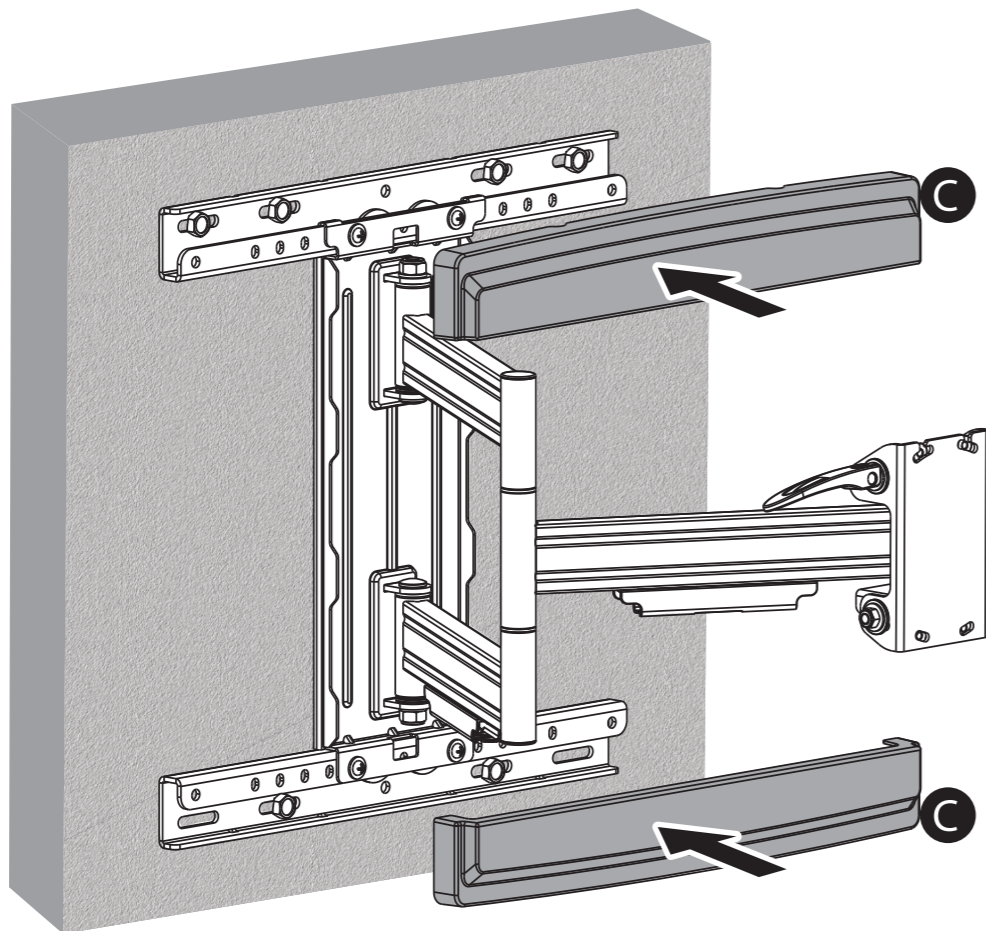
TILT ADJUSTMENT: Push handle in to unlock, adjust tilt & pull handle out to lock



4

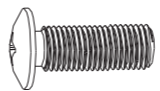

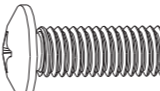
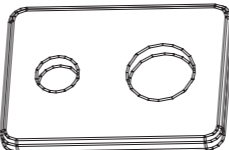
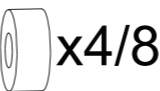
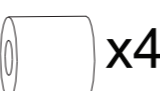
- E**  x4
- F**  x4

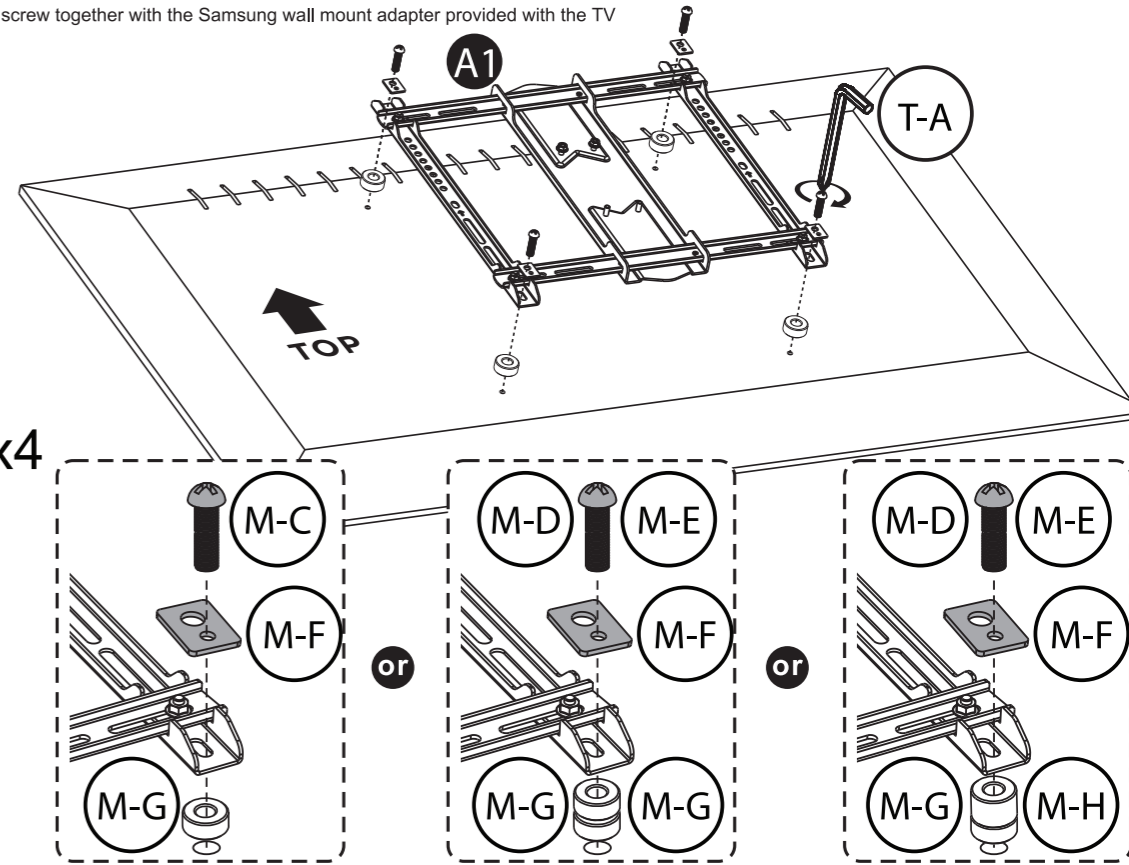




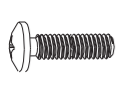
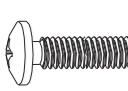
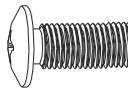
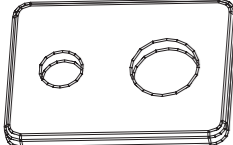
Too long Too Short

For new Samsung TVs use the longer S-A screw together with the Samsung wall mount adapter provided with the TV

- M-C  x4
- M-D  x4
- M-E  x4
- M-F  x4
- M-G  x4/8
- M-H  x4



Too long Too Short

- M-A  x4
- M-B  x4
- M-C  x4
- M-F  x4

